

MONSTER TRUCK

ДЕРЕВ'ЯНИЙ ПАЗЛ

3D

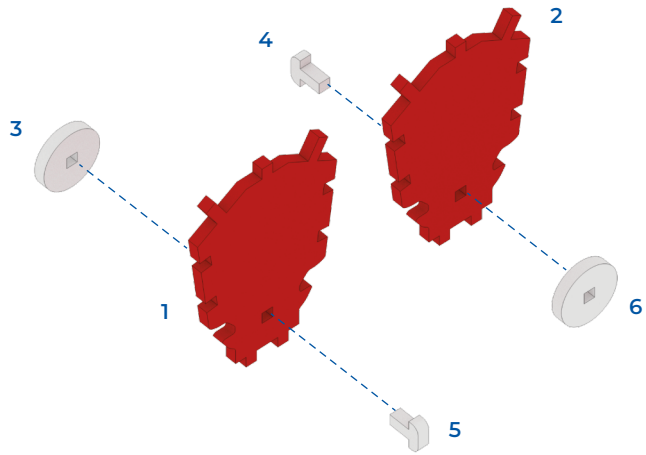
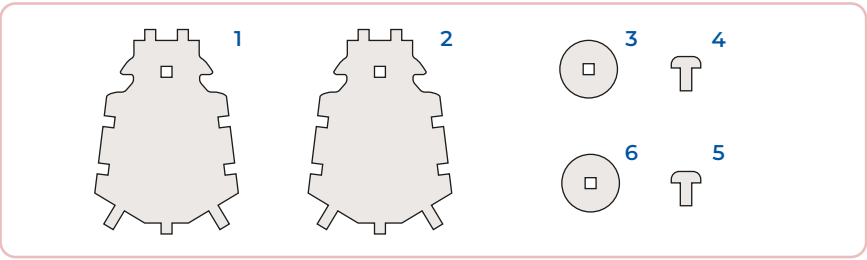
THE
GRAVIX
3D PUZZLES



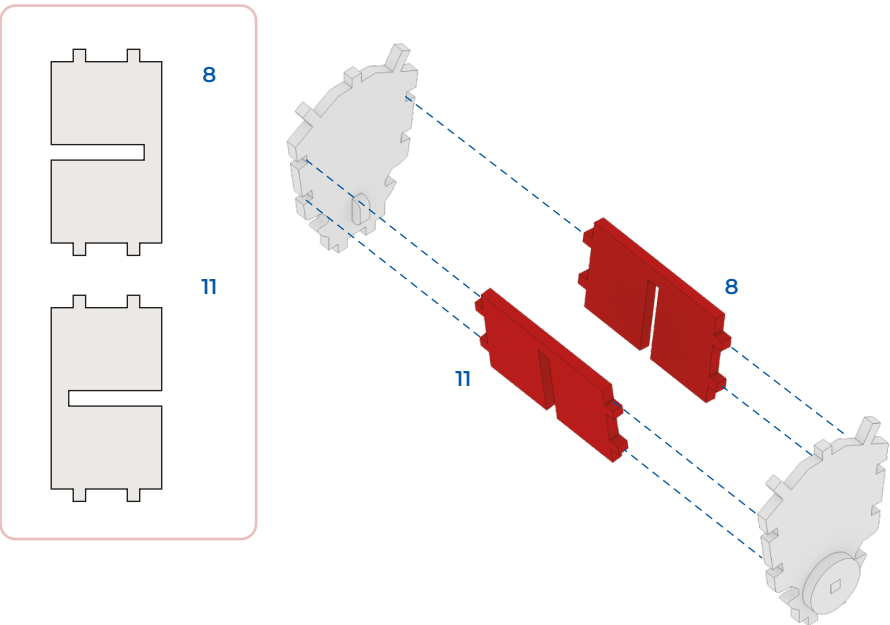
 THEGRAVIX.COM

 THEGRAVIX

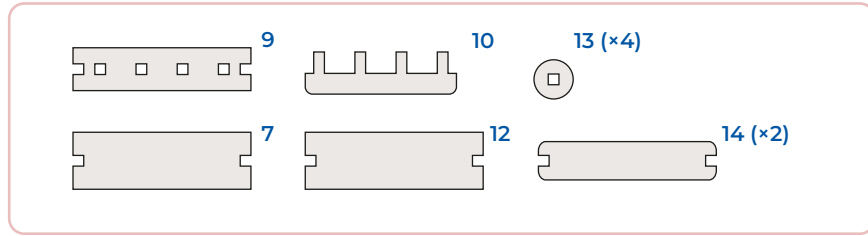
1



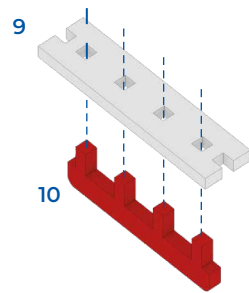
2



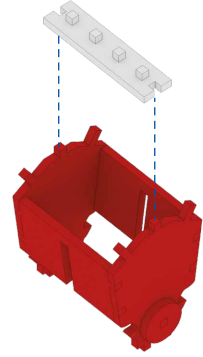
3



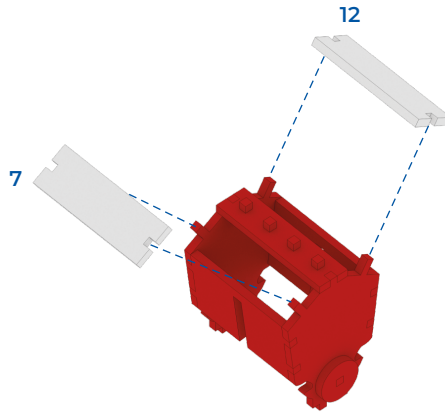
3.1



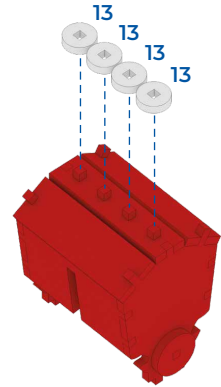
3.2



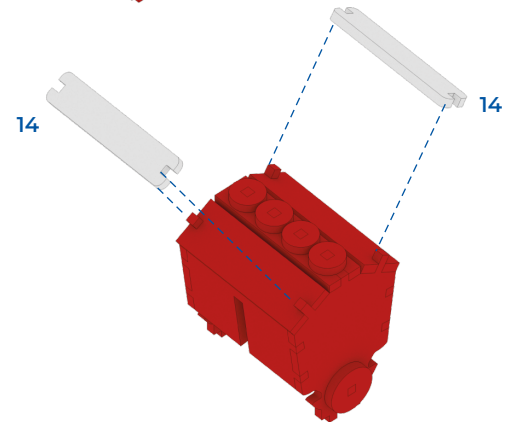
3.3



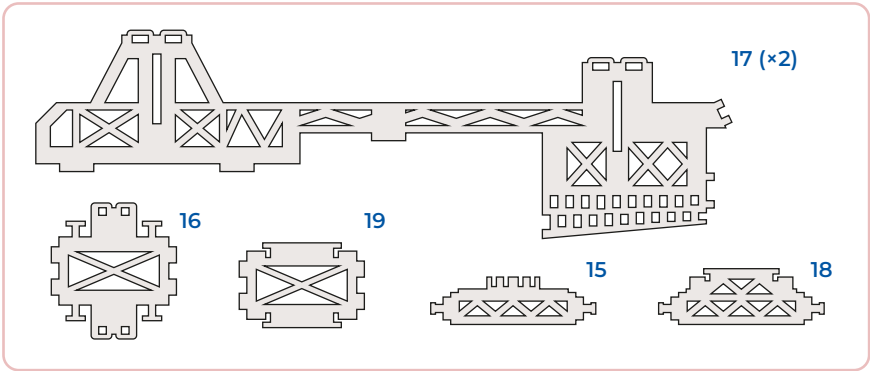
3.4



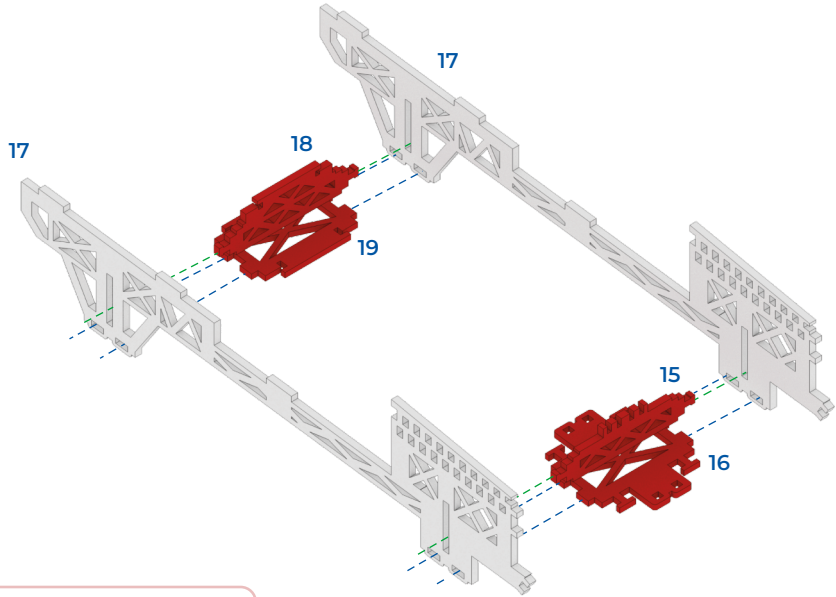
3.5



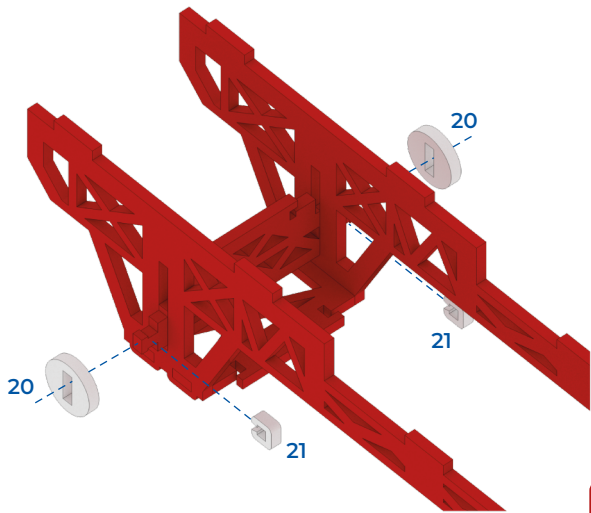
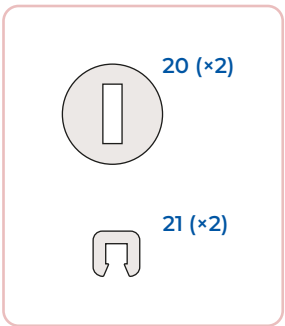
4



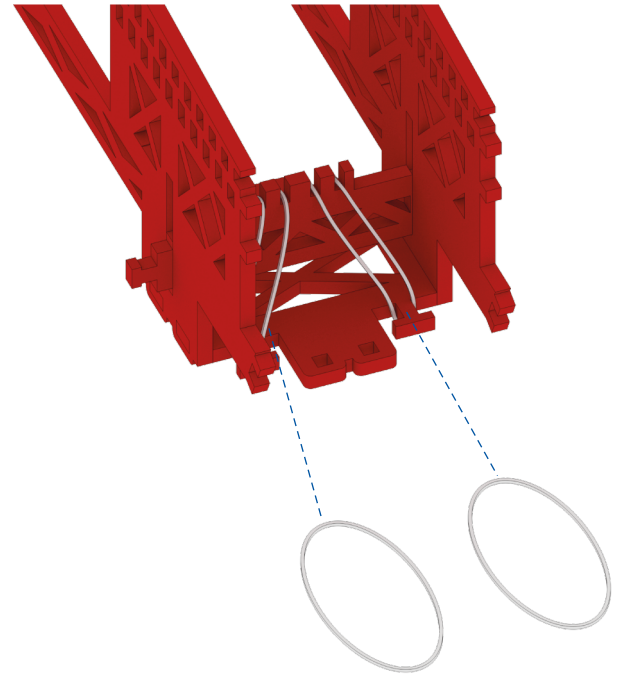
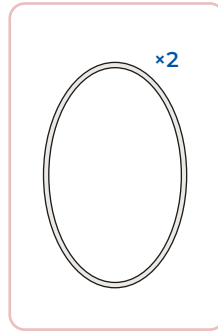
5



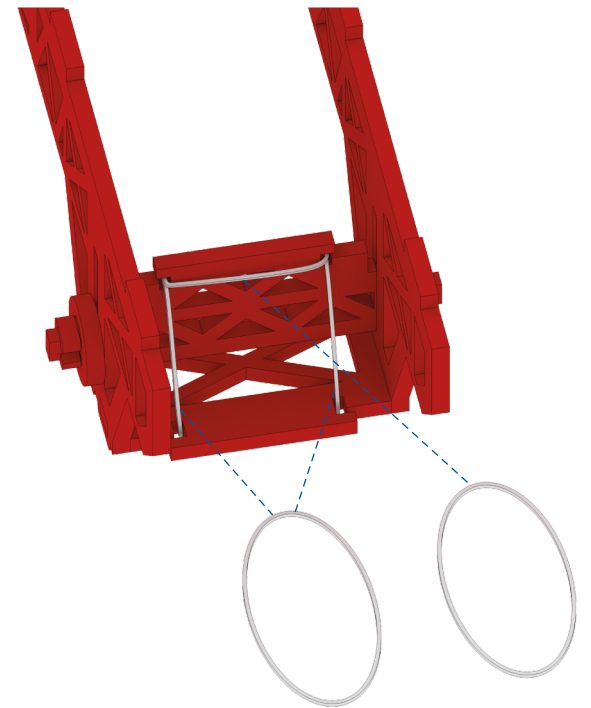
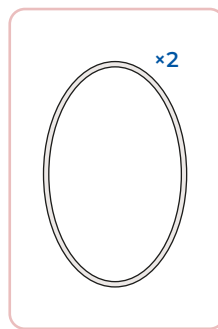
6



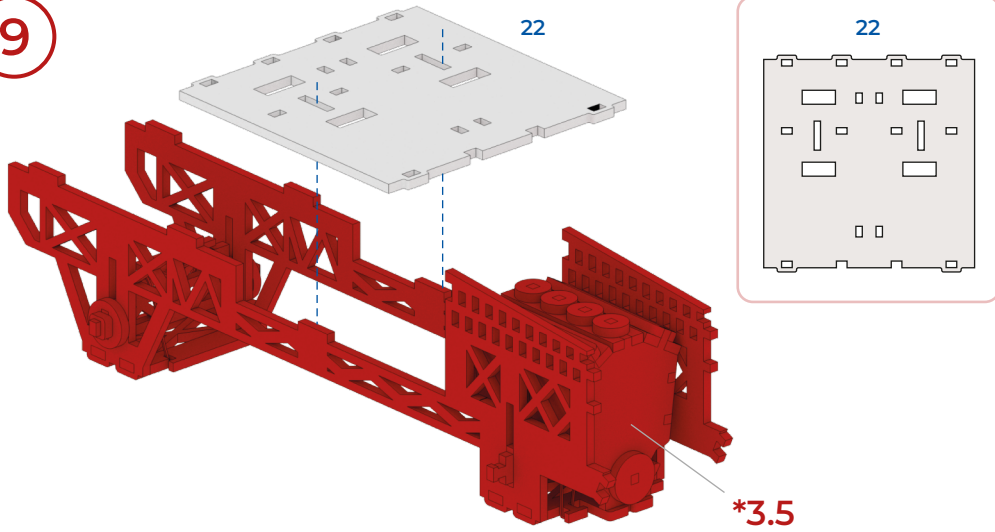
7



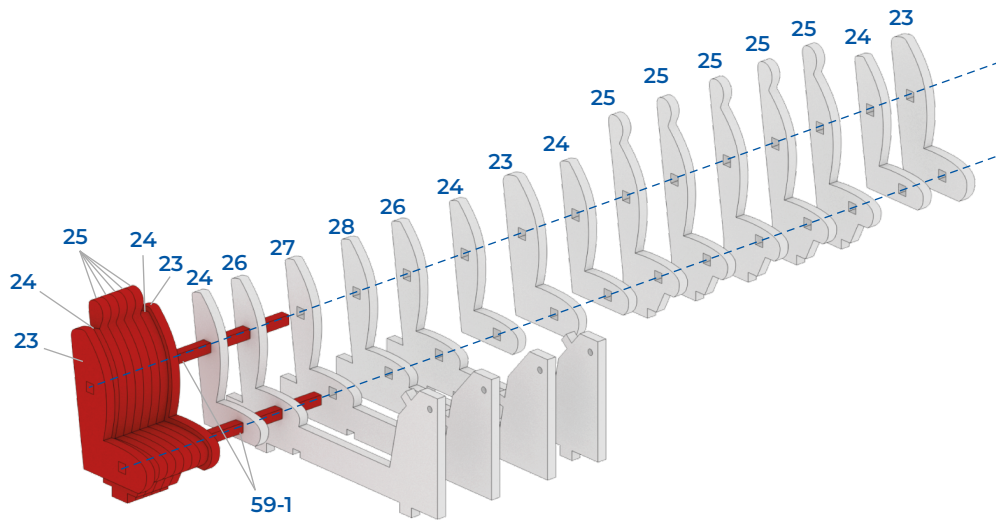
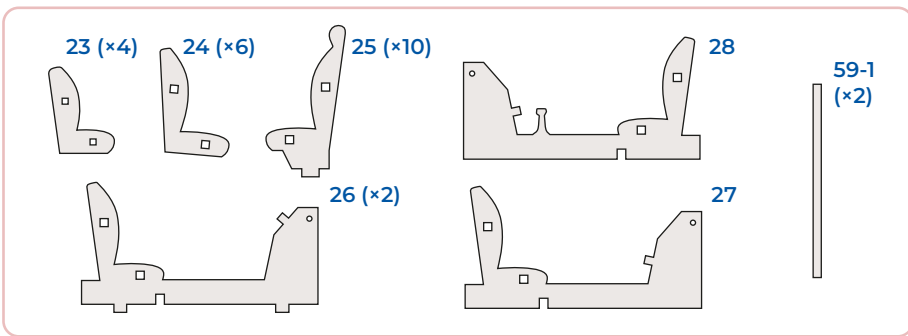
8



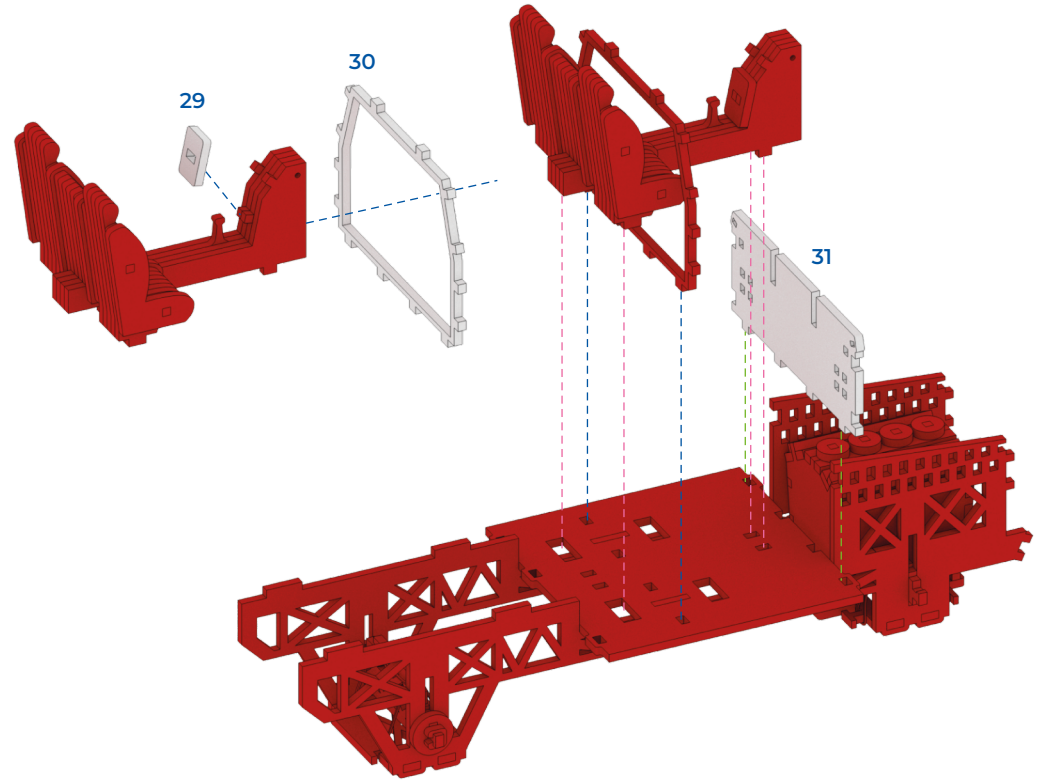
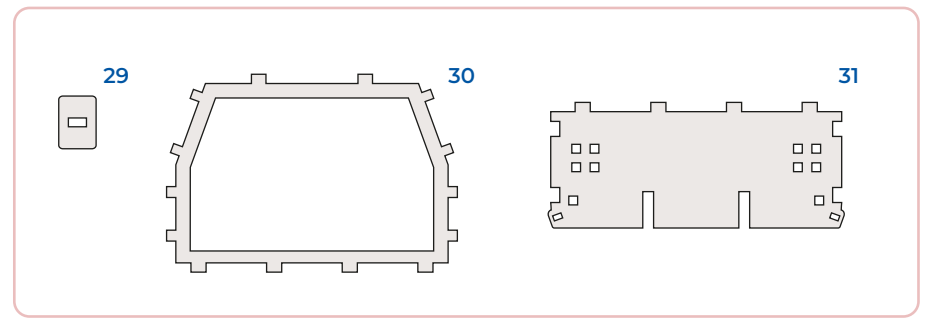
9



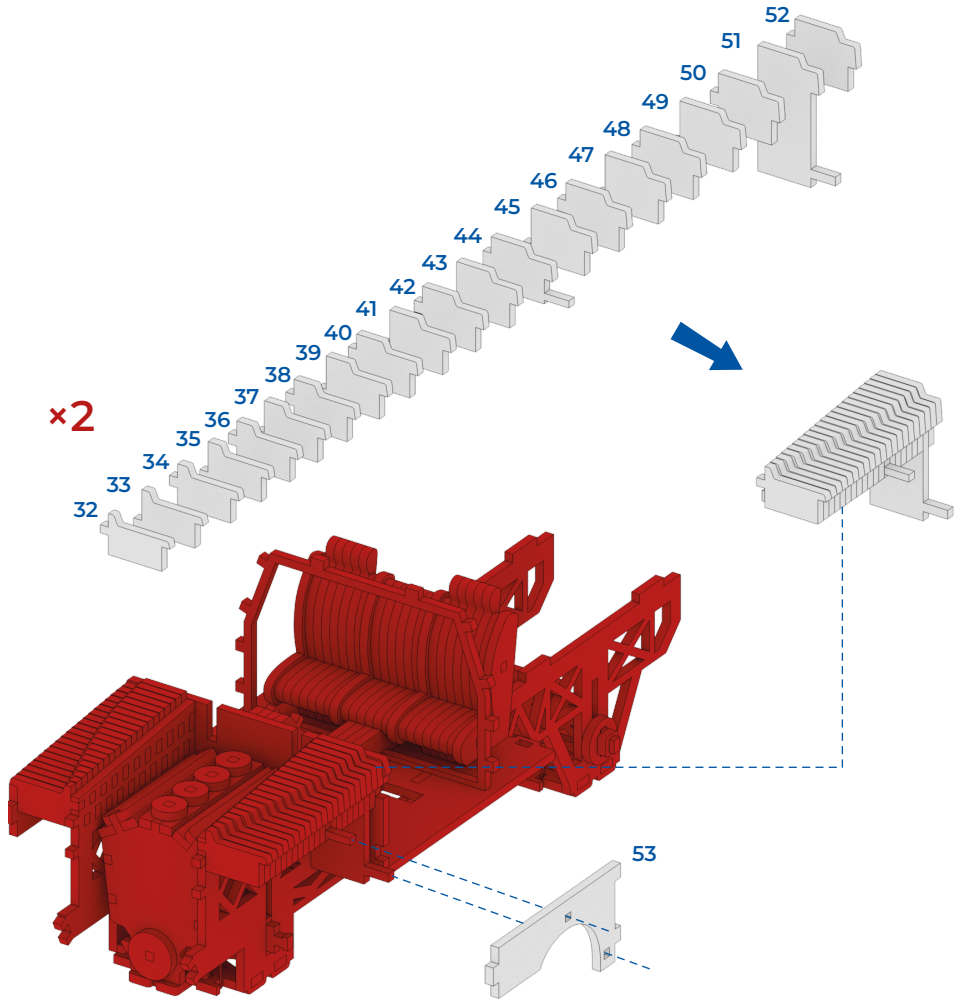
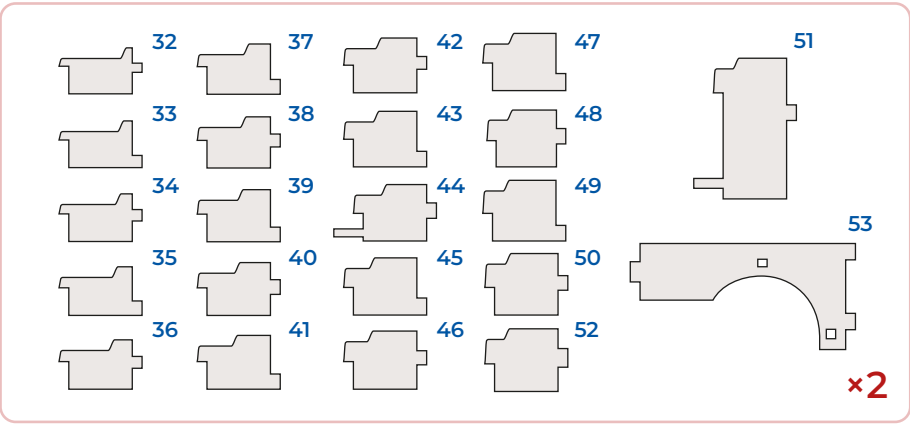
10



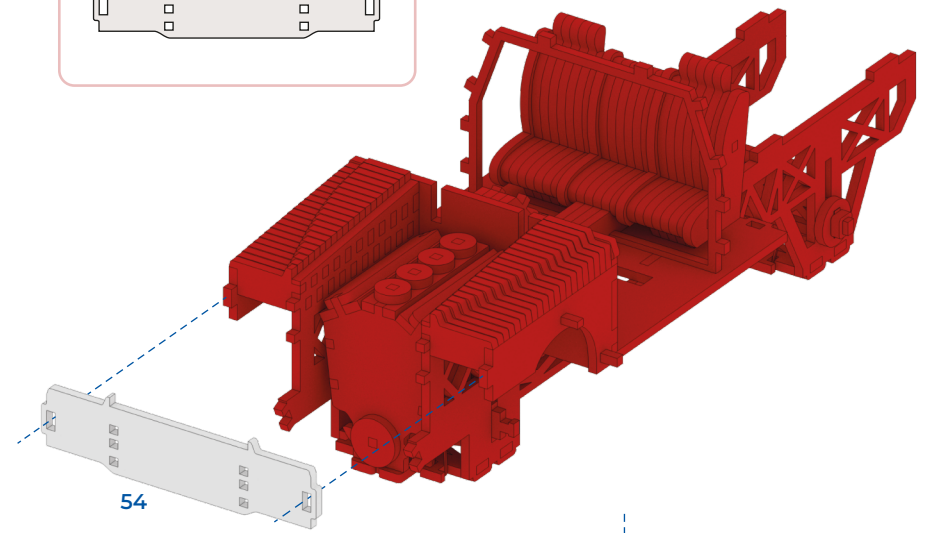
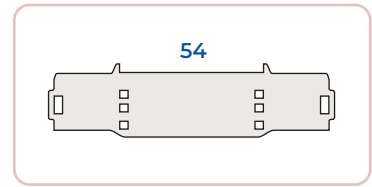
11



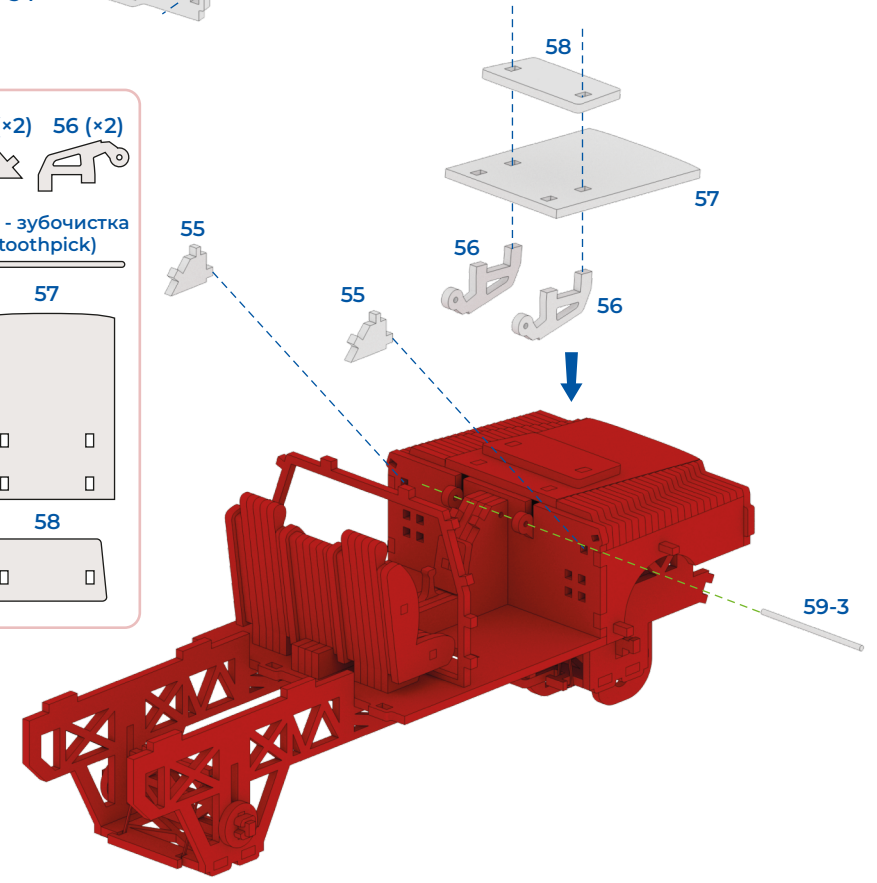
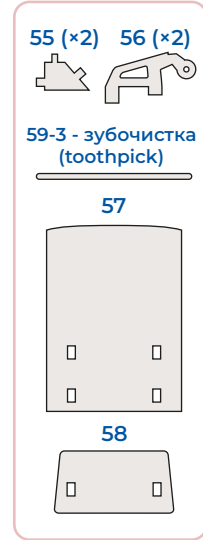
12



13

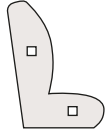


14

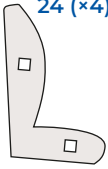


15

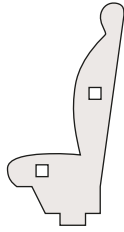
23 (x4)



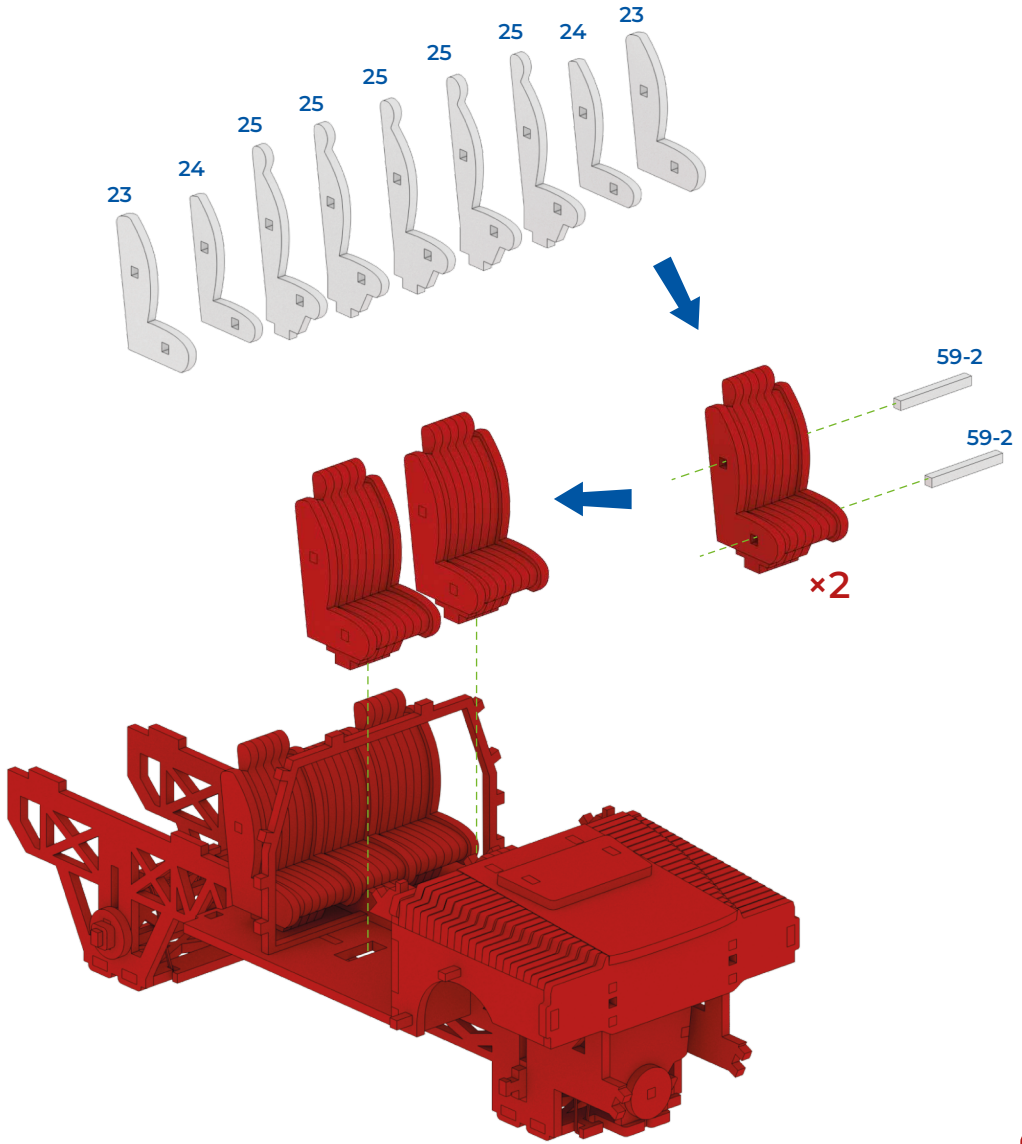
24 (x4)



25 (x10)



59-2 (x4)



16

60 (x2)



62 (x4)



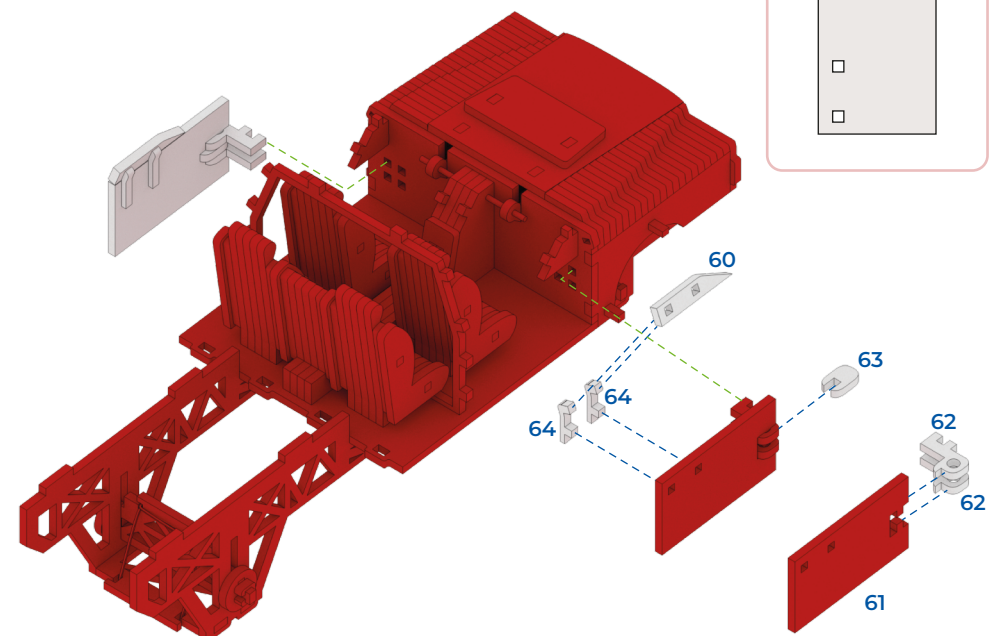
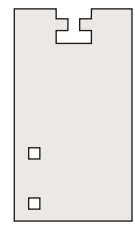
63 (x2)



64 (x4)

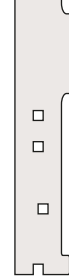


61 (x2)



17

65



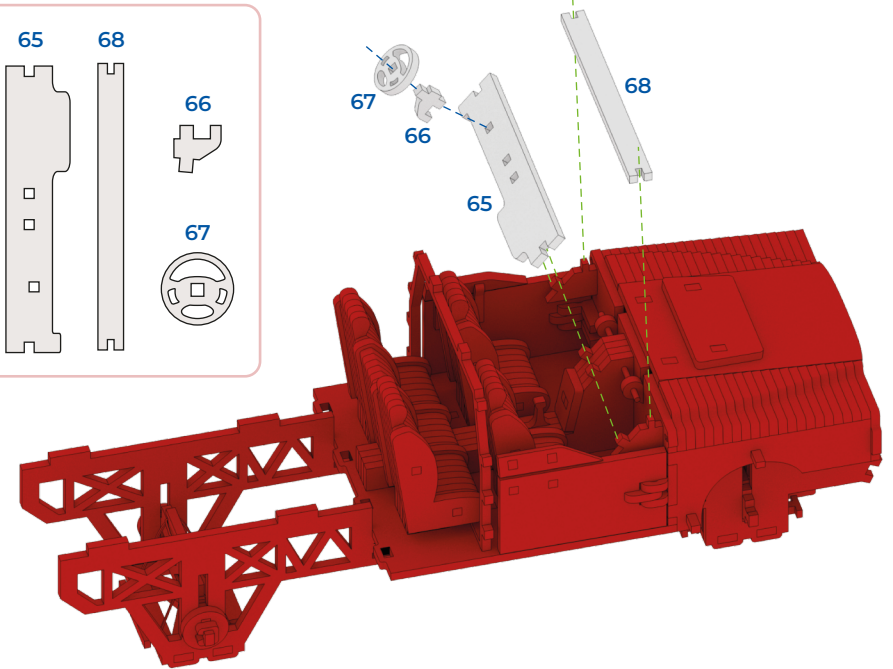
68



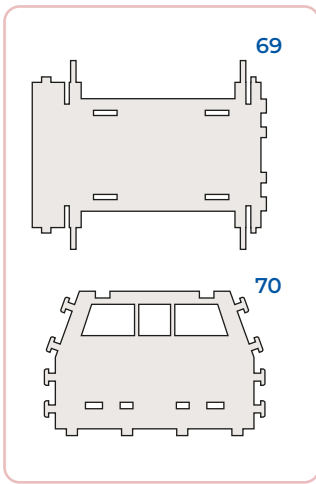
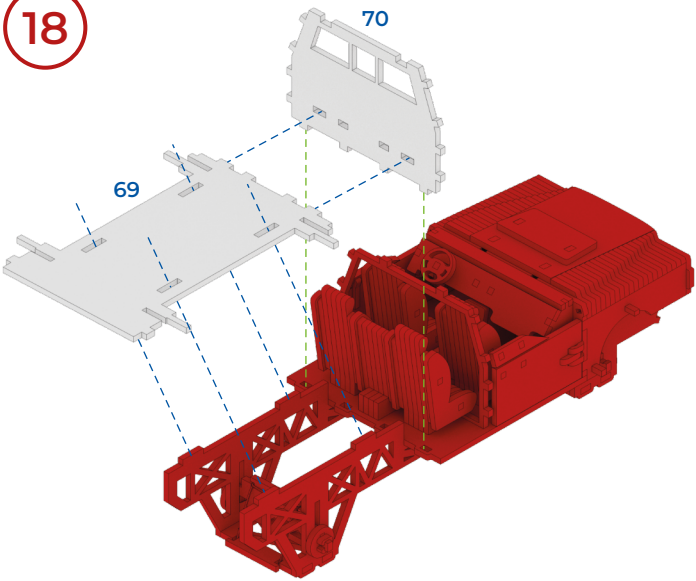
66



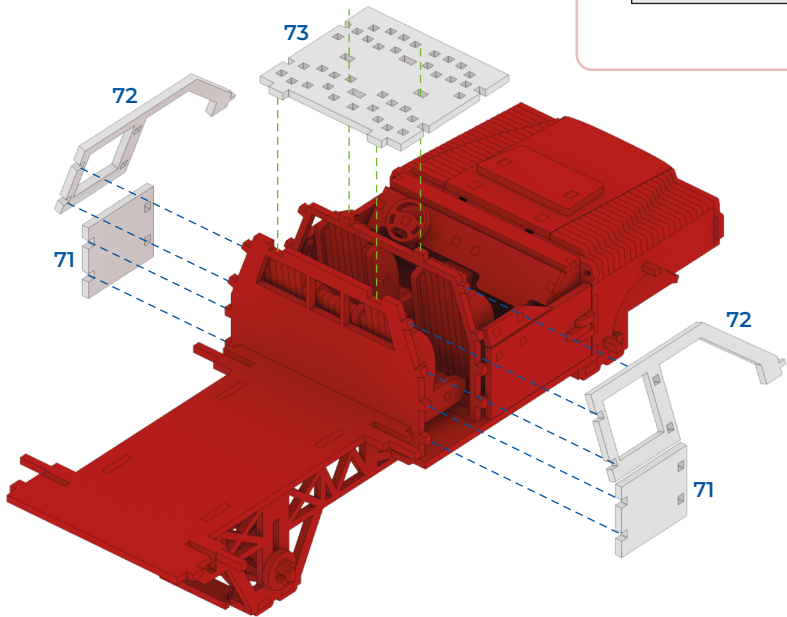
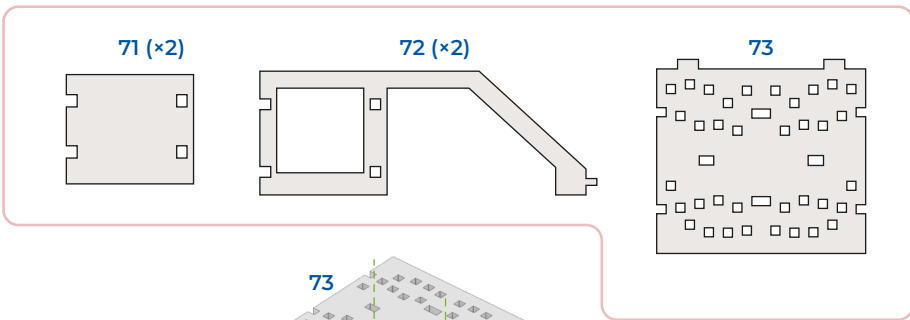
67



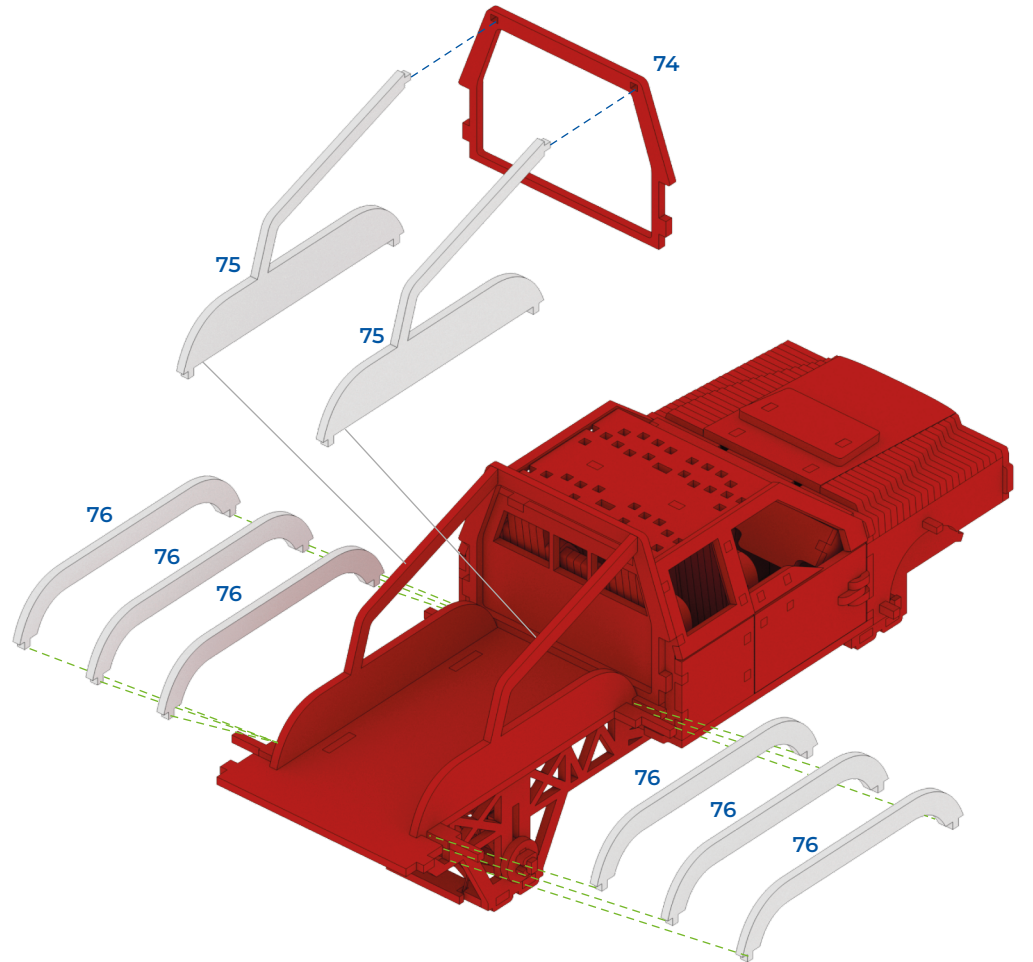
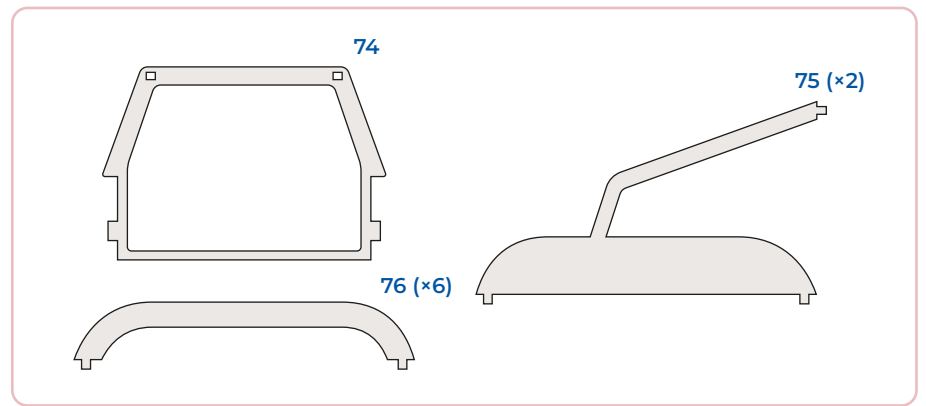
18



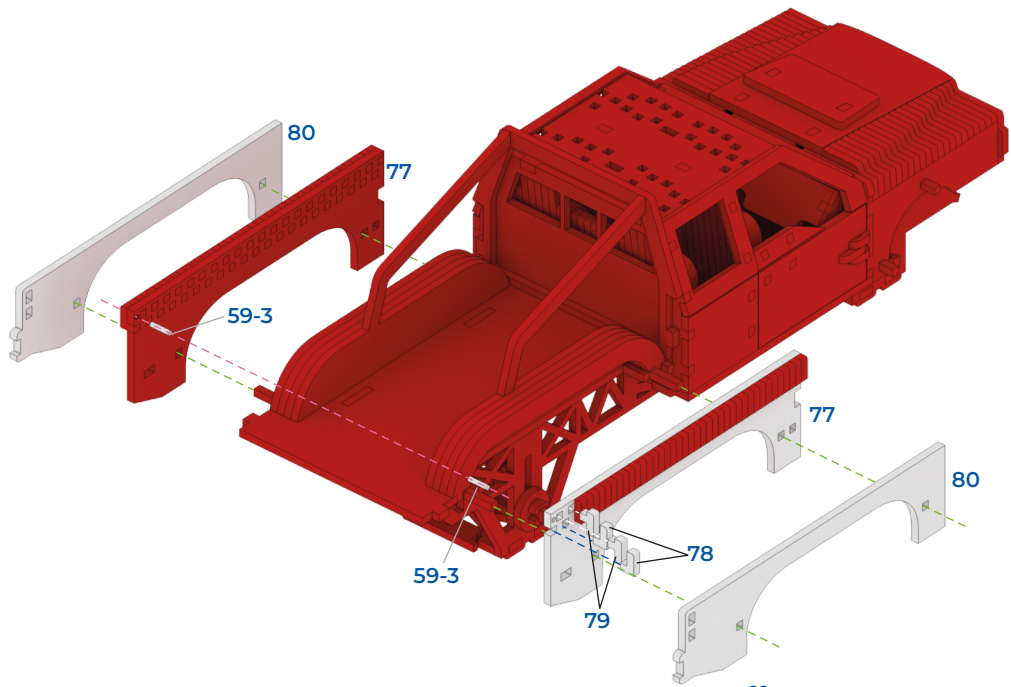
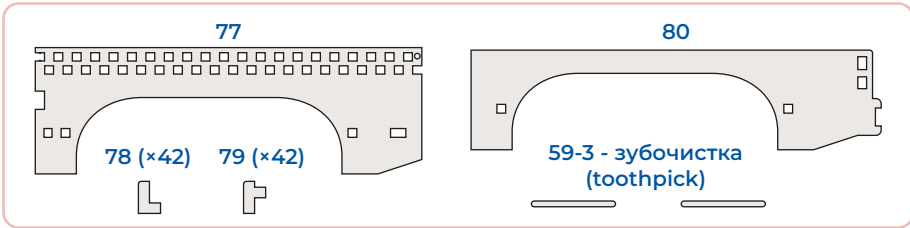
19



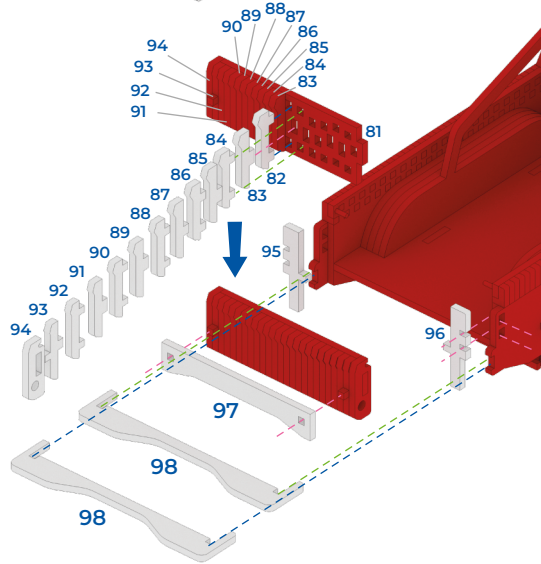
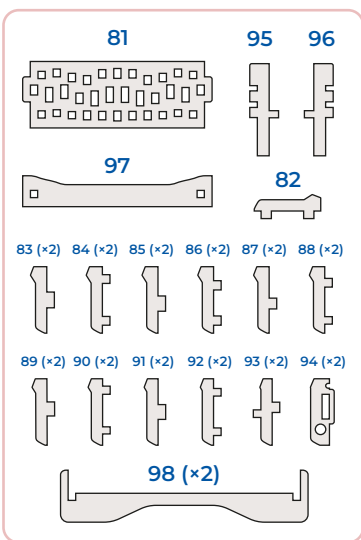
20



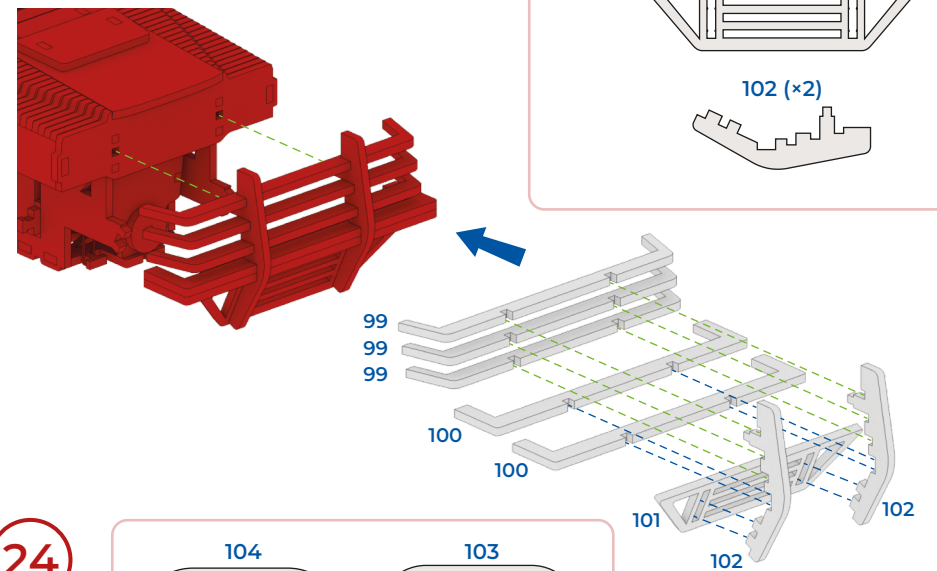
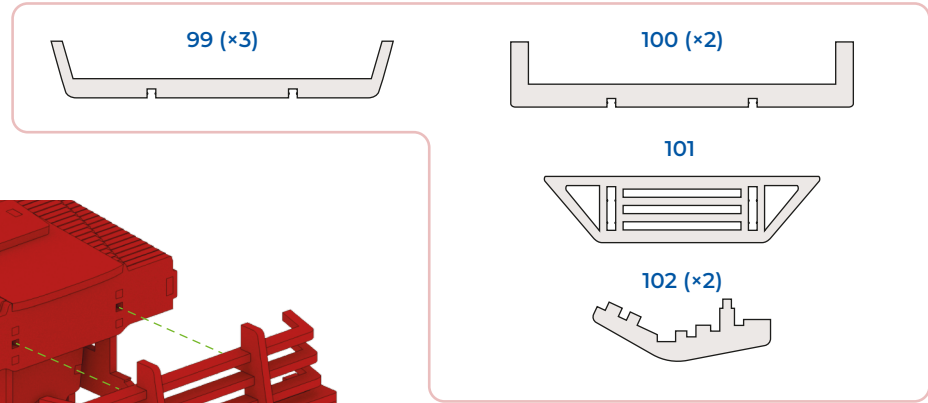
21



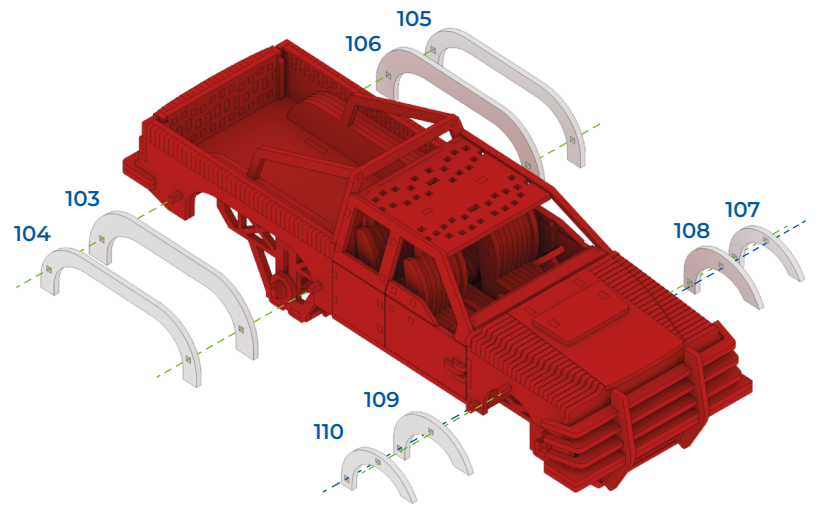
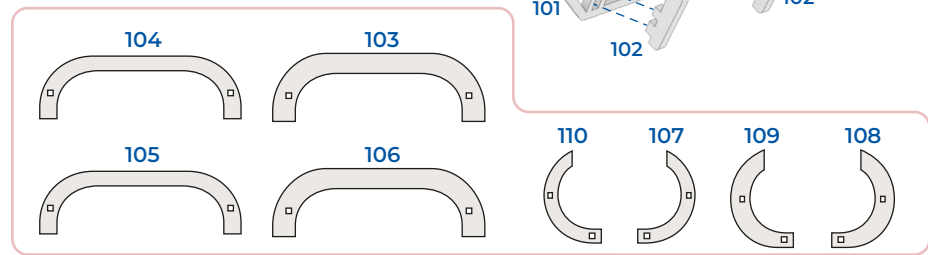
22



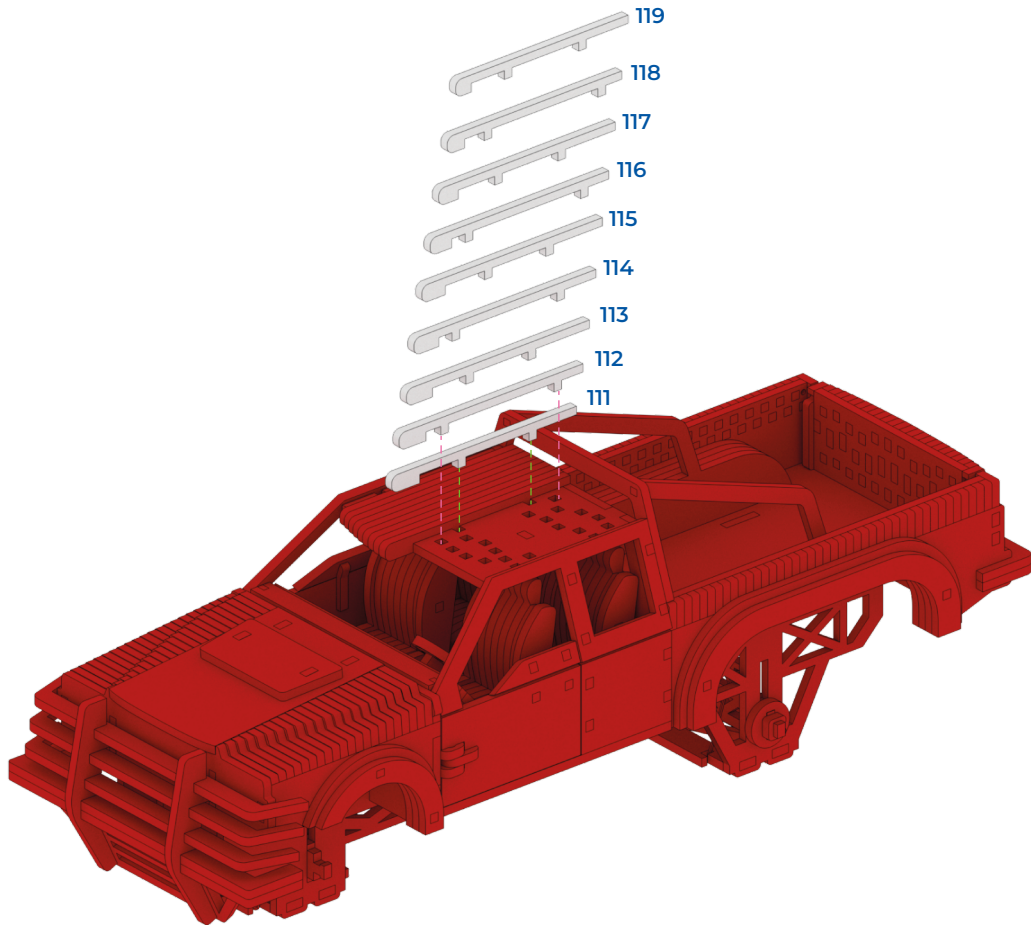
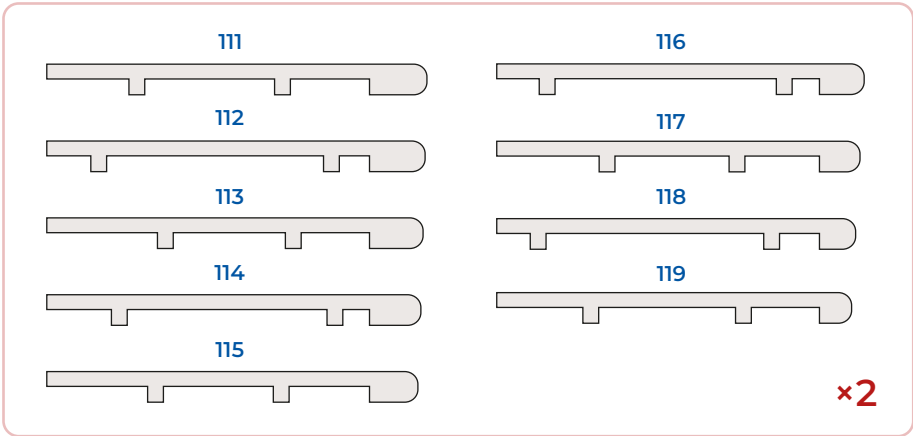
23



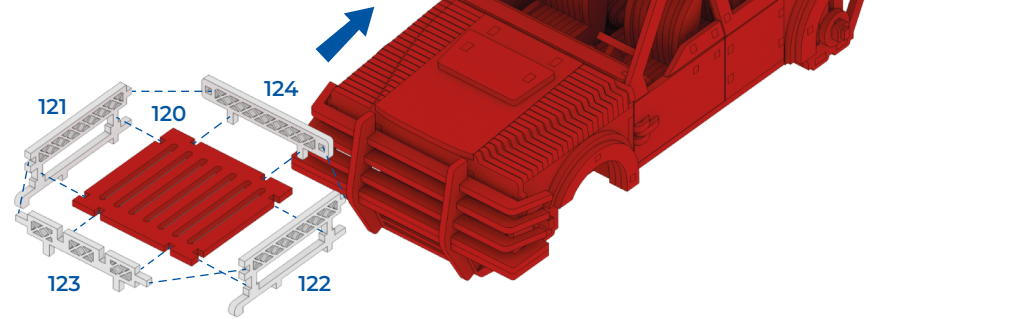
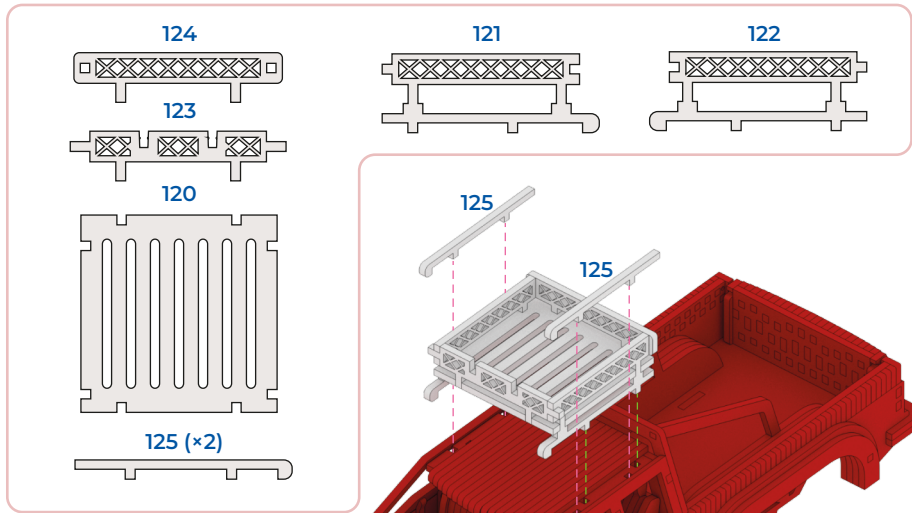
24



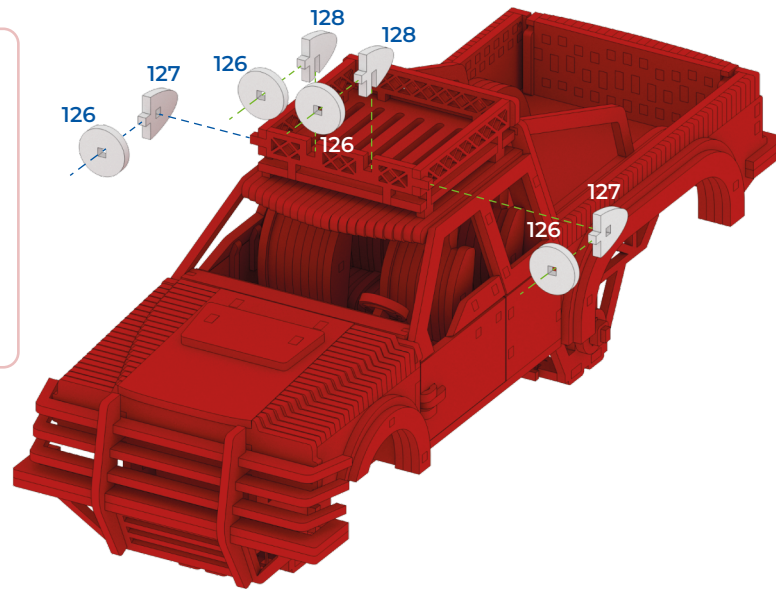
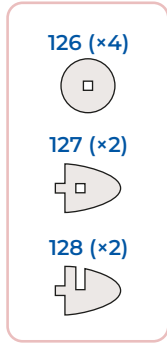
25



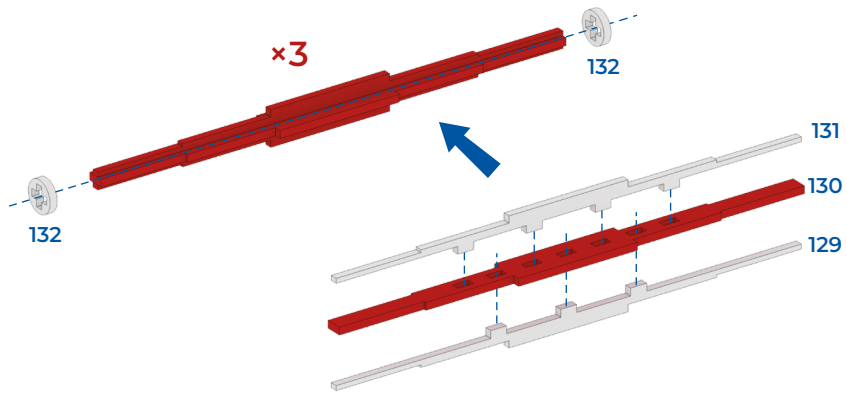
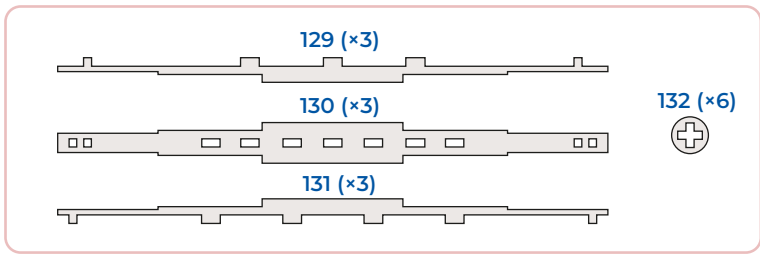
26



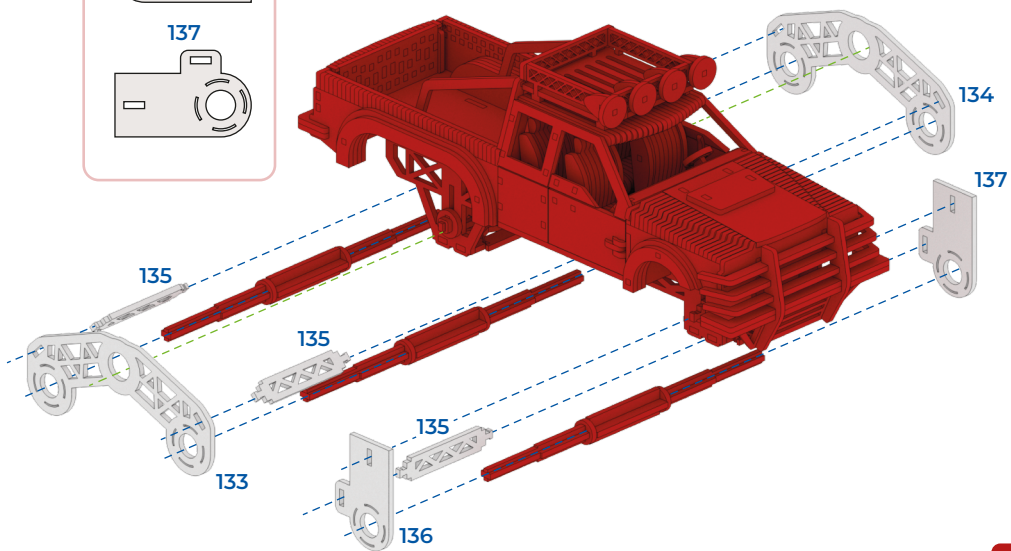
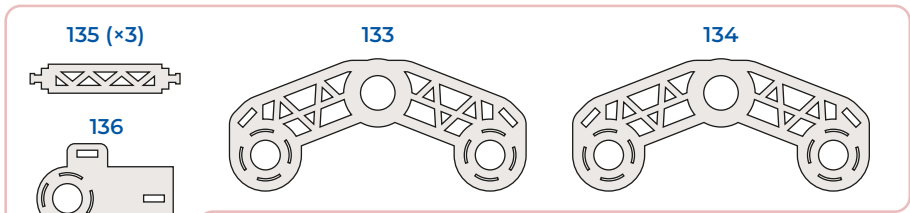
27



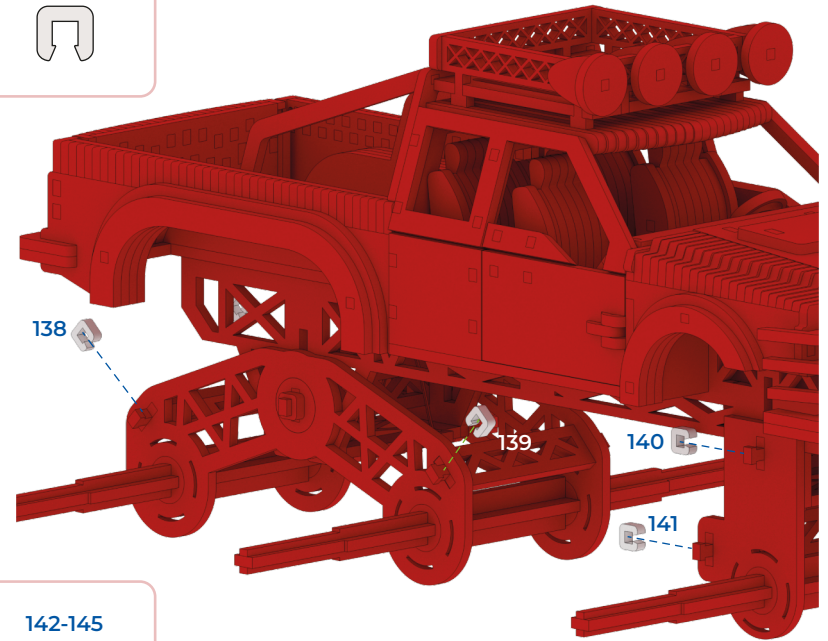
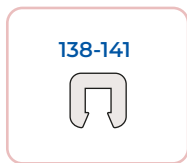
28



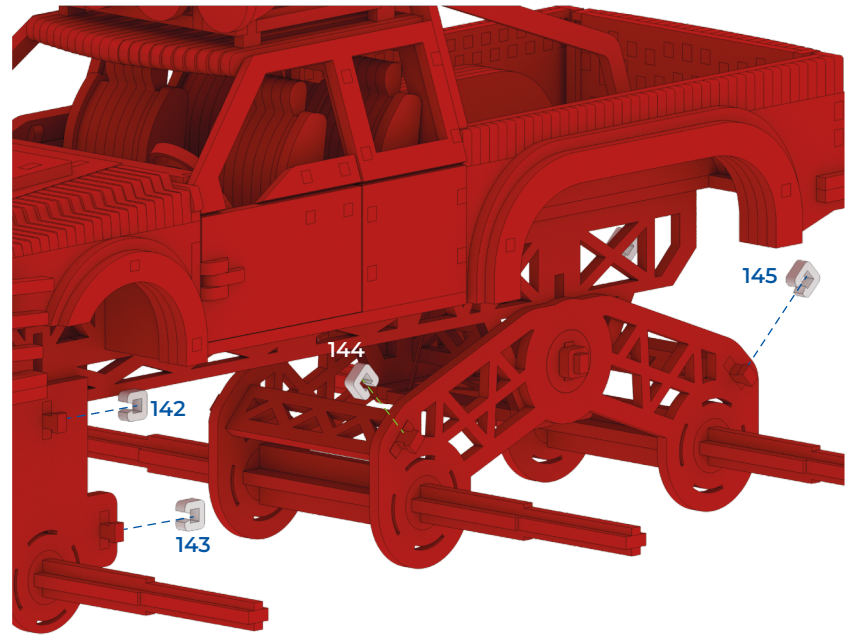
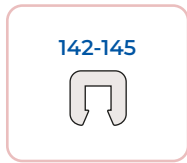
29



30

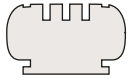


31

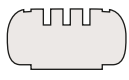


32

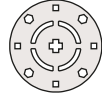
147 (x24)



148 (x144)



149 (x12)



146 (x18)

